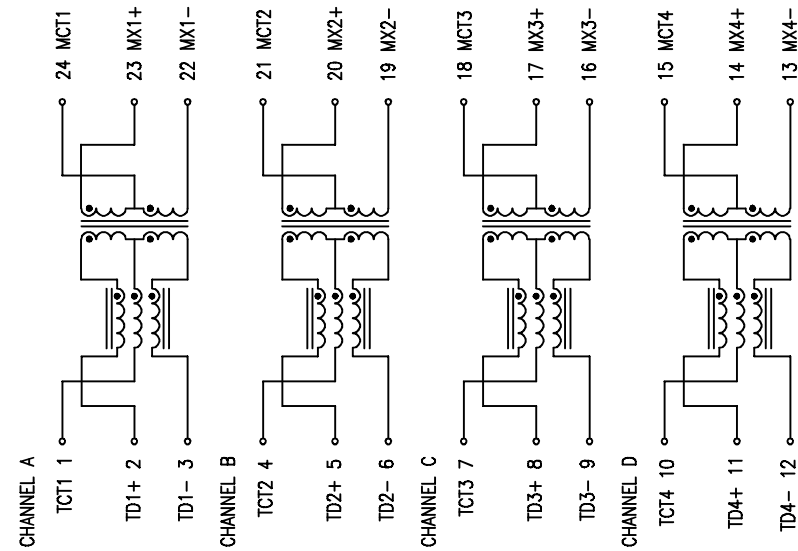


SUGGESTED PAD LAYOUT



ELECTRICAL CHARACTERISTICS :

- INSULATION HI-POT(PRI./SEC.) : 1500Vrms
- TURN RATIO ($\pm 5\%$) : TX = 1CT : 1CT , RX = 1CT : 1CT
- OCL : 350uH MIN. 100KHz/0.1V AT 8mA DC BIAS
- INSERTION LOSS (dB MAX.) : 0.3~1MHz 1~65MHz 65~100MHz
-1.1 -0.8 -1.0
- RETURN LOSS (dB MIN.) : 30MHz 60MHz 80MHz 100MHz
-18 -14.4 -12 -11
- CROSS TALK (dB MIN.) : 30MHz 60MHz 100MHz
-41 -37 -33
- CMRR (dB MIN.) : 0.3~100MHz
-30
- OPERATING TEMPERATURE RANGE : $-40^{\circ}\text{C} \sim +85^{\circ}\text{C}$
- Balanced Dc Line Current : 720mA MAX. @57V DC Continuous
1.2A MAX. @57V DC For 200Ms
- RoHS COMPLIANT

							TITLE PoE SINGLE 1000 BASE-T	
							DWG. NO. ATPL-438R	
RELEASE					UNITS:		SAFETY	
NO: DESCRIPTION DATE BY CHK APPD					DATE		P/N:	
REVISIONS							SHEET 1 of 1 DRAW	